

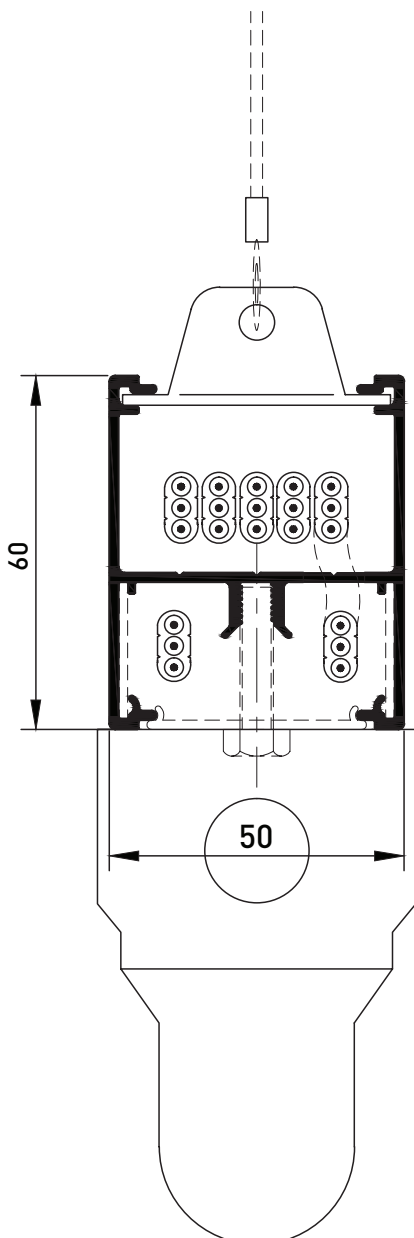
# LIGHTING TRUNKING

## CODE: LT6050

---

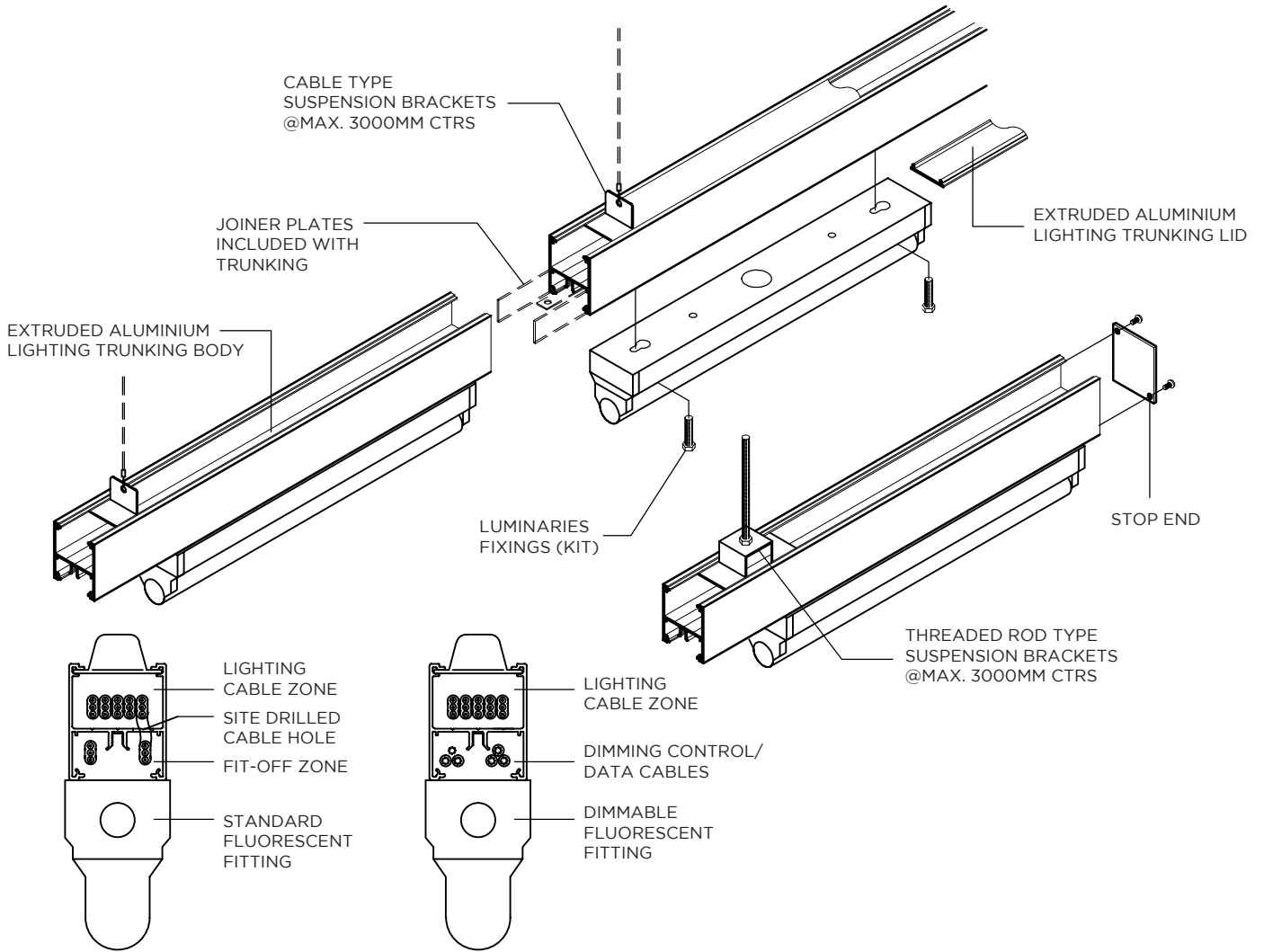
<b>MATERIAL:</b>	EXTRUDED ALUMINIUM
<b>SIZE:</b>	60 X 50 MM
<b>COVER:</b>	SNAP-FIT
<b>LIGHT FITTING:</b>	SURFACE MOUNTED
<b>COLOUR:</b>	WHITE & ANODISED (SILVER/GREY) (OTHER POWDER COAT COLOURS AVAILABLE ON REQUEST)

---



- The LT 6050 Overhead Service Trunking has been designed to carry lighting cables and fittings overhead where ceiling access is not available.
- The unique 2 compartment design allows for easy management of lighting circuits and / or segregation of lighting control data cabling.
- Optional snap in extruded aluminium covers can be fitted top or bottom.
- This product can be surface mounted, rod suspended or wire suspended.
- The LT 6050 is supplied in a natural anodised finish as standard or if required can be powder coat finished.

This product has been examined in accordance with AS/NZ 3000 and conforms to A.C.M.A requirements.



**SUGGESTED SPECIFICATION:**

- The contractor shall allow to supply and install PDC LT 6050 (60x50mm) Lighting Trunking suspended from or surface mounted to the ceiling or as otherwise nominated and described below.
- When installed suspended from the ceiling structure the contractor shall use the supplied suspension brackets suitable for wire or threaded rod. The brackets shall be spaced at maximum 2400mm centres for normal use.
- The body and lid of the Lighting Trunking shall be extruded aluminium in a natural (clear) anodised finish or pre-treated and powder coated white as nominated by the architect.
- The system shall be earthed in accordance with AS/NZ 3000 wiring rules and conform to A.C.M.A. requirements.
- Bends shall be site mitred to fine tolerances with concealed reinforcing angles riveted in position. Adjacent lengths of trunking body shall be splice joined with slide in joiner plates. Screw fixed stop ends shall be fitted where necessary.
- Installation shall be performed by experienced Trunking installers.

PARTS LIST			
Description	Code	Select Colour by Adding suffix to Code	
		WHITE	ANODISED
Lighting Trunking Body - 6m lengths	LT 6050D	WE	NA
Lighting Trunking Lid - 3 m lengths	LT 6050L	WE	NA
Suspension Bracket - Suits Cable Suspension (Max 2400mm ctrs)	LT 6050 SBC	-	-
Suspension Bracket - Suits Threaded Rod (Max 2400mm ctrs)	LT 6050 SBT	-	-
Luminaries fixing kit - Suits Fluorescent fittings only	LT 6050 LFK	-	-
Stop End	LT 6050 SE	WE	NA