

FLOOR BOX

'PROTECTOR' SERIES

CODE: FB6SF

- Stainless floor box with **Cable Shield™** frame assembly to prevent cables being cut.
- Robust and large capacity cable exit flap with retracing handle.
- Modular box body and lid design, interchangeable with plastic and other lids in the floor box range.

STAINLESS SURFACE REVERSIBLE LID

SOFT CLOSE SOLID LID/DEEP BOX

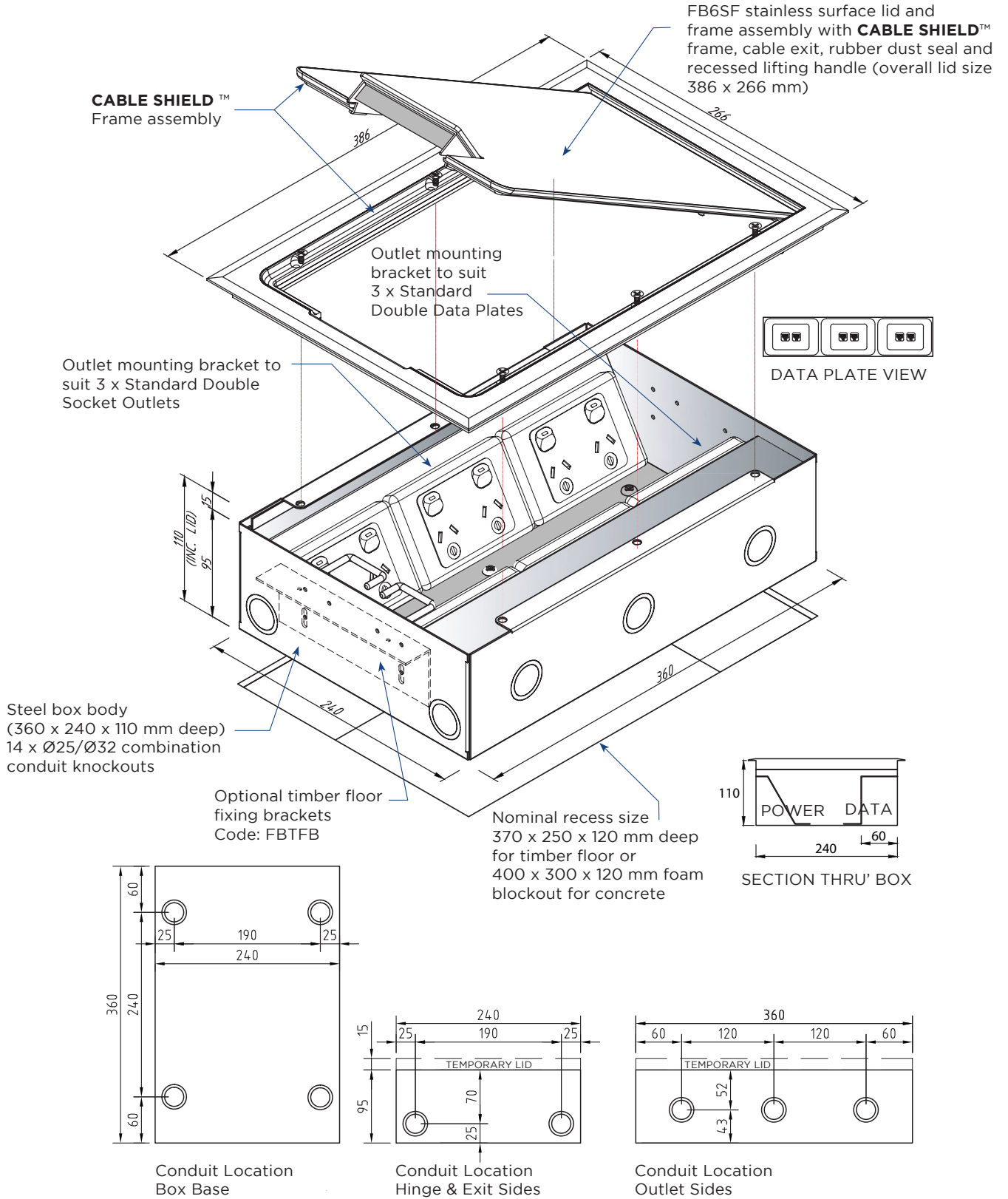
BEVELLED EDGE:
FITS ON TOP OF FLOORING FINISH

OPTION TO FIT CAM LOCK



LID SIZE:	386 x 266 mm
BOX SIZE:	360 x 240 x 110 mm Deep
SUPPLIED WITH:	3 x Standard Double Socket Outlets 3 x Standard Double Data Plates Temporary Construction Lid
SUITABLE FOR:	Category 6A and 7A Cabling

FB6SF ASSEMBLY



All dimension quoted are nominal only. Drawings, images and text are for illustrative purposes only and product details and dimensions are subject to change without notice.

This product is not suitable for use in wet areas. It is intended for use with fixed wiring only and must be installed according to the AS/NZ 3000 Wiring Rules.