

FLOOR BOX

CODE: FB147

- Compact and stylish solid brass look floor box providing power and data to open plan areas.
- Two cord outlet ports fold into box to allow cables to exit when in use.

BRASS SURFACE LID

SOLID LID/DEEP BOX

BEVELLED EDGE:
FITS ON TOP OF FLOORING FINISH

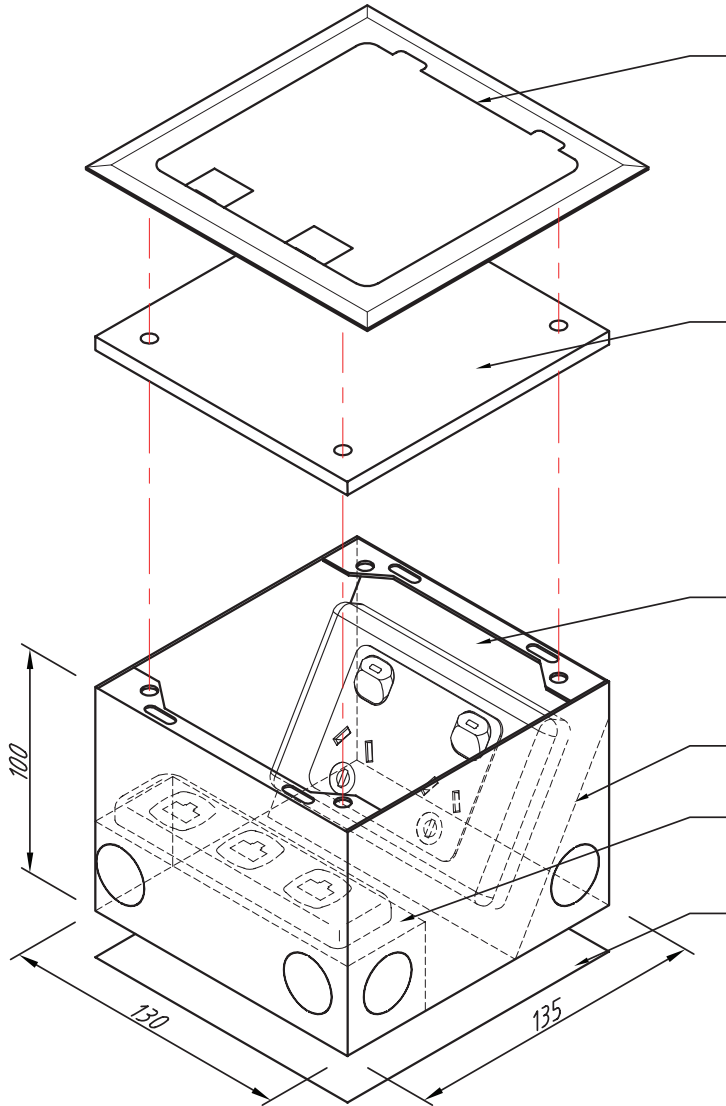


LID SIZE: 145 x 145 mm

BOX SIZE: 135 x 130 x 100 mm Deep

SUPPLIED WITH: 1 x Standard Double Socket Outlet
1 x 3-Gang Architrave Data Plate

FB147 ASSEMBLY



Flush brass lid and frame assembly with bevelled edge and two fold down cable exit flaps (145 x 145 mm)

*Brass Look - made of composite materials predominantly Cuprum.

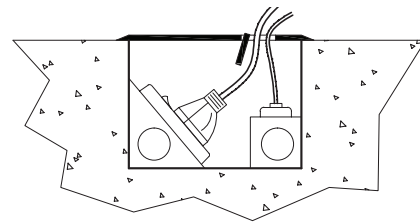
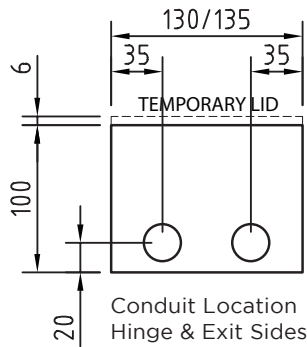
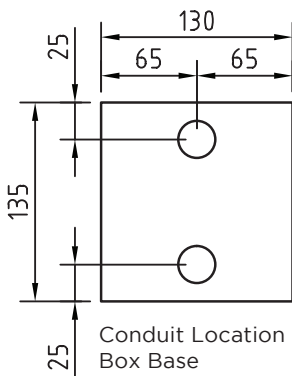
Temporary lid to floor box body during construction

Powder coated steel box body 130 x 135 x 100 mm deep (nom.) with 10 x Ø25 conduit knockouts (2 to each side & 2 on base)

Outlet mounting bracket to suit 1 x Standard Double Socket Outlet

Outlet mounting bracket to suit 1 x 3-Gang Architrave Plate For Data/A.V.

Nominal recess size:
138 x 132 x 110 mm deep for timber floor or
155 x 155 x 110 mm foam blockout for concrete



Assembled side view of FB147 single compartment floor box showing cord outlet flap in use

All dimension quoted are nominal only. Drawings, images and text are for illustrative purposes only and product details and dimensions are subject to change without notice.

This product is not suitable for use in wet areas. It is intended for use with fixed wiring only and must be installed according to the AS/NZ 3000 Wiring Rules.