

# FLOOR BOX

## CODE: FB175

- Stainless Steel flush floor box with round lid providing power to open plan areas.
- Cable exit flap allows cords out of the box when in use.

**STAINLESS STEEL SURFACE LID**

**SOLID LID/DEEP BOX**

**BEVELLED EDGE:**  
FITS ON TOP OF FLOORING FINISH

**SQUARE EDGED LID AVAILABLE FOR  
FITTING FLUSH WITH FLOORING FINISH**  
ADD 'SQ' TO CODE



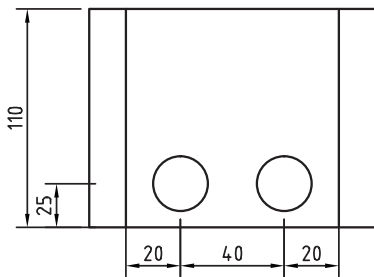
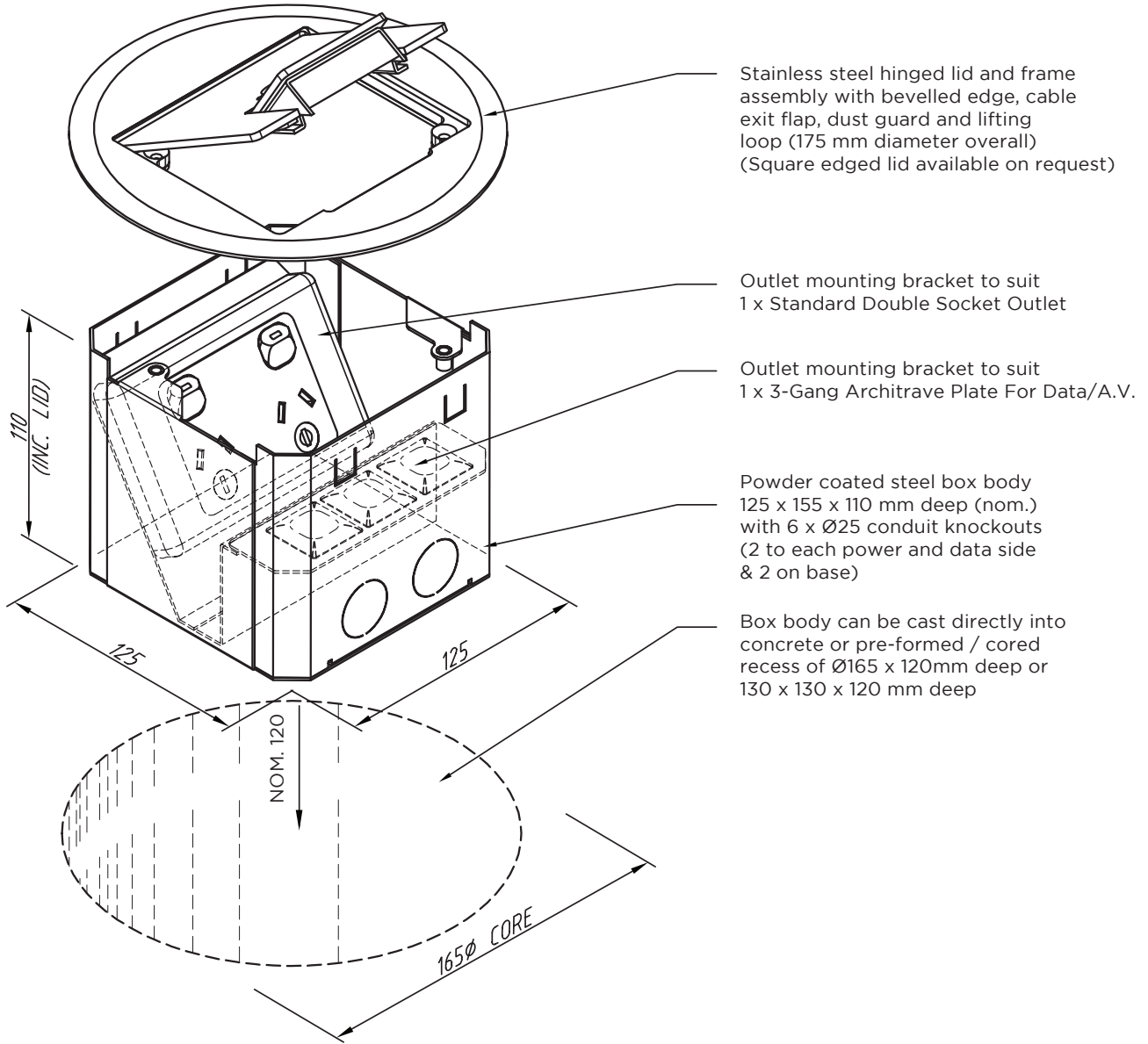
**LID SIZE:** 175 mm Ø

**BOX SIZE:** 125 x 125 x 110 mm Deep

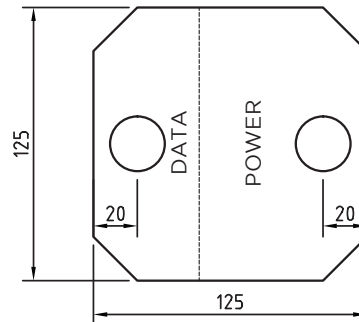
**SUPPLIED WITH:** 1 x Standard Double Socket Outlet  
1 x 3-Gang Archtrave Data plate

**SUITABLE FOR:** Category 6 Cabling

# FB175 ASSEMBLY



Conduit Location  
Hinge & Exit Sides



Conduit Location  
Box Base

All dimension quoted are nominal only. Drawings, images and text are for illustrative purposes only and product details and dimensions are subject to change without notice.

This product is not suitable for use in wet areas. It is intended for use with fixed wiring only and must be installed according to the AS/NZ 3000 Wiring Rules.