

FLOOR BOX

CODE: FB560

- Round floor box with cast aluminium lid and frame.
- The circular design of the canister and lid allows this box to be installed into existing concrete slabs.
- Core cut the appropriate size core hole and drop the floor box into position.

CAST ALUMINIUM SURFACE LID

5 MM REBATE LID/DEEP BOX

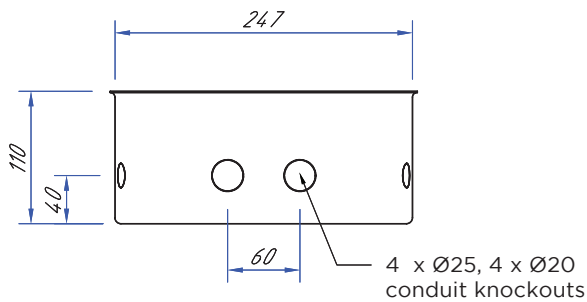
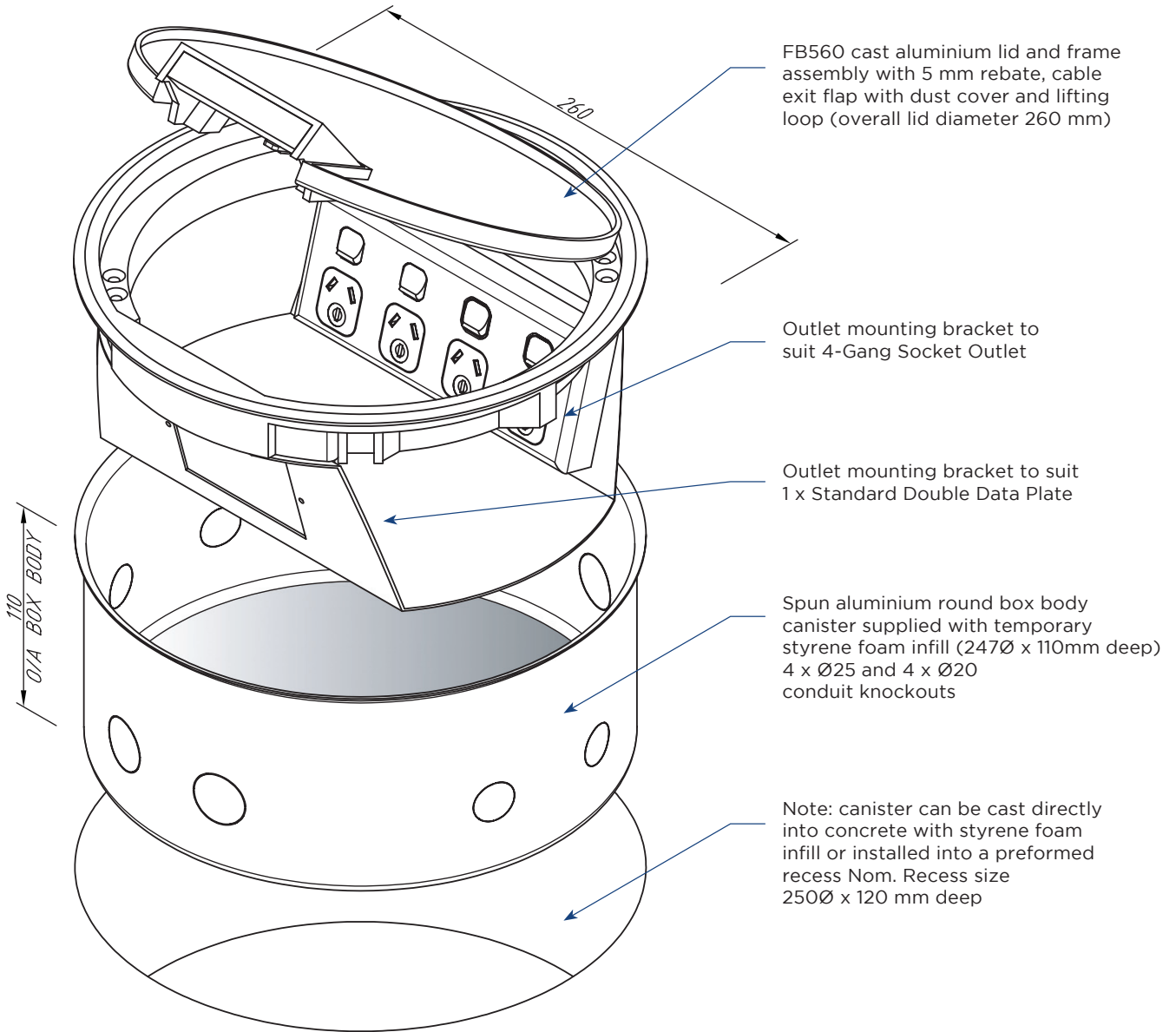
BEVELLED EDGE:
FITS ON TOP OF FLOORING

SUPPLIED WITH FOAM BLOCKOUT

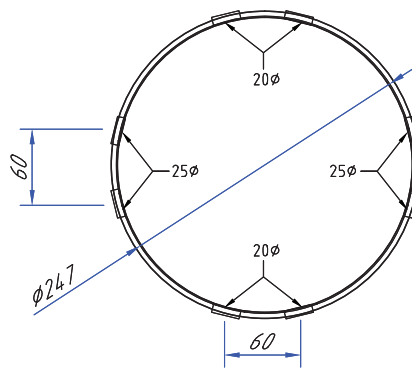


LID SIZE:	260 mm Ø
BOX SIZE:	247 mm Ø x 110 mm Deep
RECESS SIZE:	250 mm Ø x 110 mm Deep
SUPPLIED WITH:	1 x 4-Gang Socket Outlet 1 x Standard Double Data Plate
SUITABLE FOR:	Category 6 Cabling

FB560 ASSEMBLY



SIDE VIEW



TOP VIEW

All dimension quoted are nominal only. Drawings, images and text are for illustrative purposes only and product details and dimensions are subject to change without notice.

This product is not suitable for use in wet areas. It is intended for use with fixed wiring only and must be installed according to the AS/NZ 3000 Wiring Rules.