

FLOOR BOX

CODE: FB6P70

- Robust **large** capacity **shallow** floor box with reversible low profile lid.
- Large capacity cable exit flap with retracing handle.
- Modular box body and lid design, interchangeable with stainless and other lids in the floor box range.

**MOULDED POLYAMIDE GREY
REVERSIBLE SURFACE LID**

7 MM REBATE LID/SHALLOW BOX

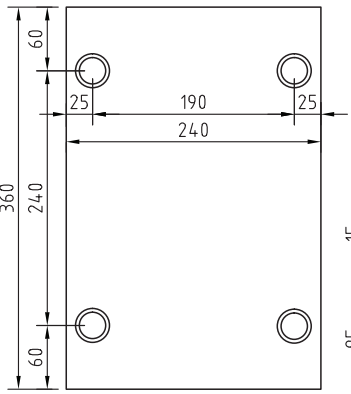
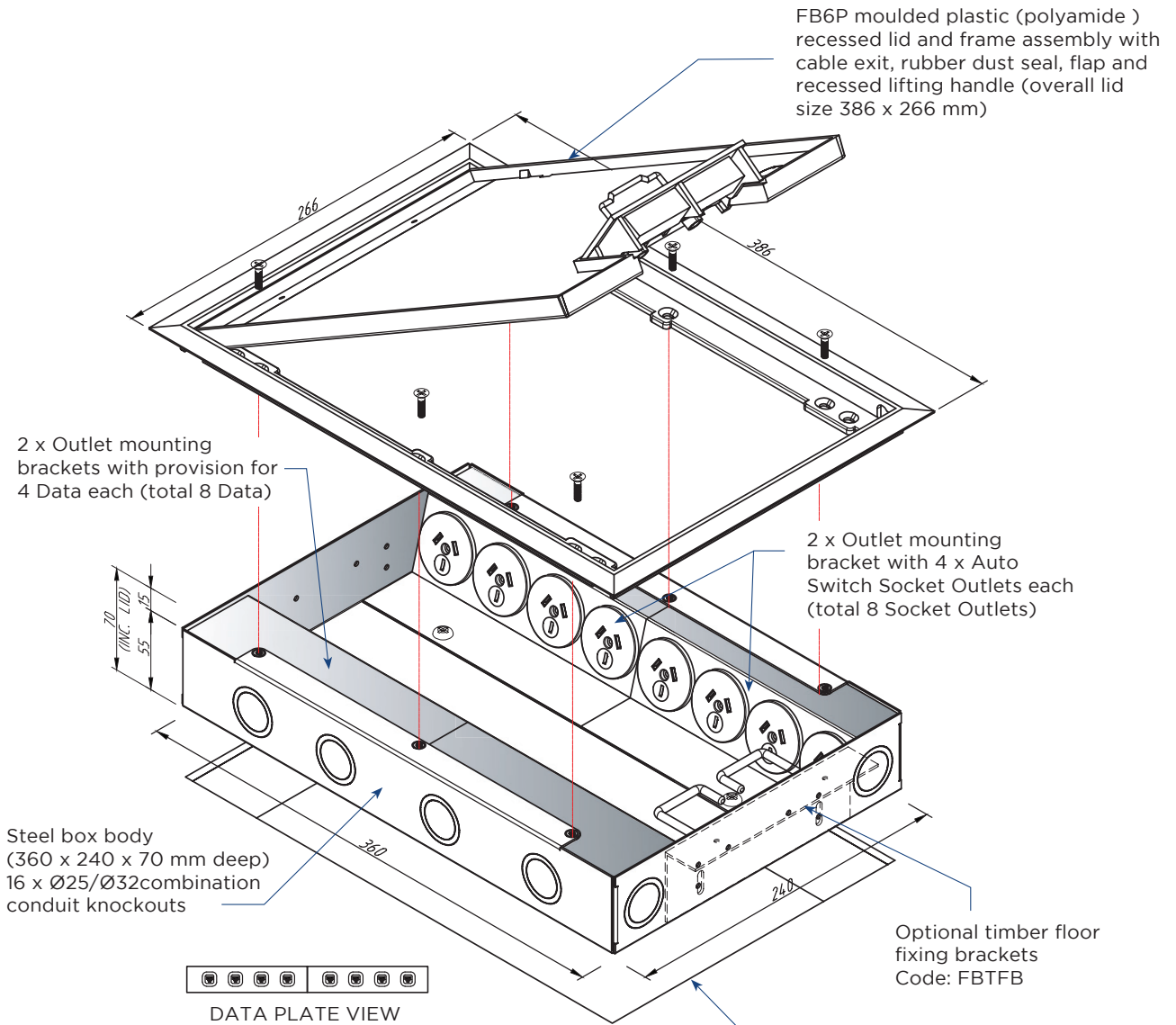
**BEVELLED EDGE:
FITS ON TOP OF FLOORING FINISH**

OPTION TO FIT CAM LOCK

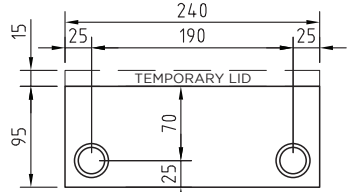


LID SIZE:	386 x 266 mm
BOX SIZE:	360 x 240 x 70 mm Deep
SUPPLIED WITH:	8 x Single Auto Switched Socket Outlets 8 x Data Mounts Temporary Construction Lid
SUITABLE FOR:	Category 6A and 7A Cabling

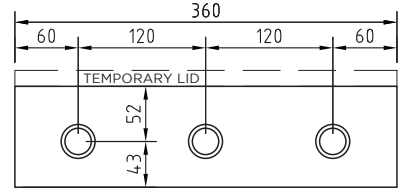
FB6P70 ASSEMBLY



Conduit Location Box Base

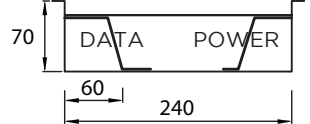


Conduit Location Hinge & Exit Sides



Conduit Location Outlet Sides

Nominal recess size
370 x 250 x 80 mm deep for timber floor or
400 x 300 x 80 mm foam blockout for concrete



SECTION THRU' BOX

All dimension quoted are nominal only. Drawings, images and text are for illustrative purposes only and product details and dimensions are subject to change without notice.

This product is not suitable for use in wet areas. It is intended for use with fixed wiring only and must be installed according to the AS/NZ 3000 Wiring Rules.