

# FLOOR BOX

## CODE: FB4P70

- Compact and robust **shallow** floor box, with reversible low profile lid.
- Providing power and data to open plan areas where **shallow** boxes are required.
- Large capacity cable exit flap with retracing handle.
- Modular box body and lid design, interchangeable with stainless and other lids in the floor box range.

**MOULDED POLYAMIDE GREY  
REVERSIBLE SURFACE LID**

**7 MM REBATE LID/SHALLOW BOX**

**BEVELLED EDGE:  
FITS ON TOP OF FLOORING FINISH**

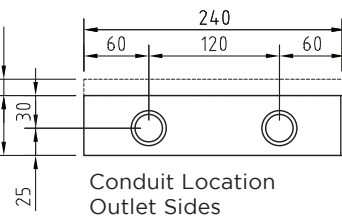
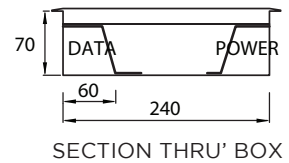
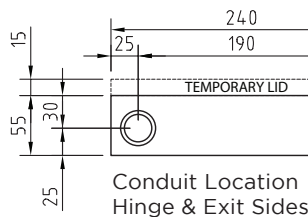
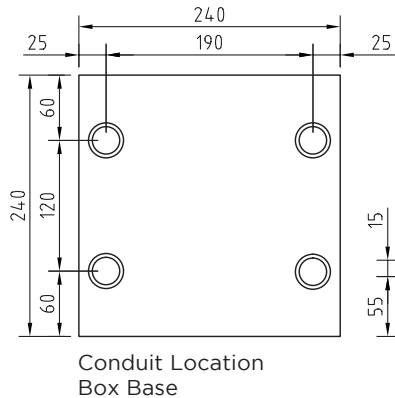
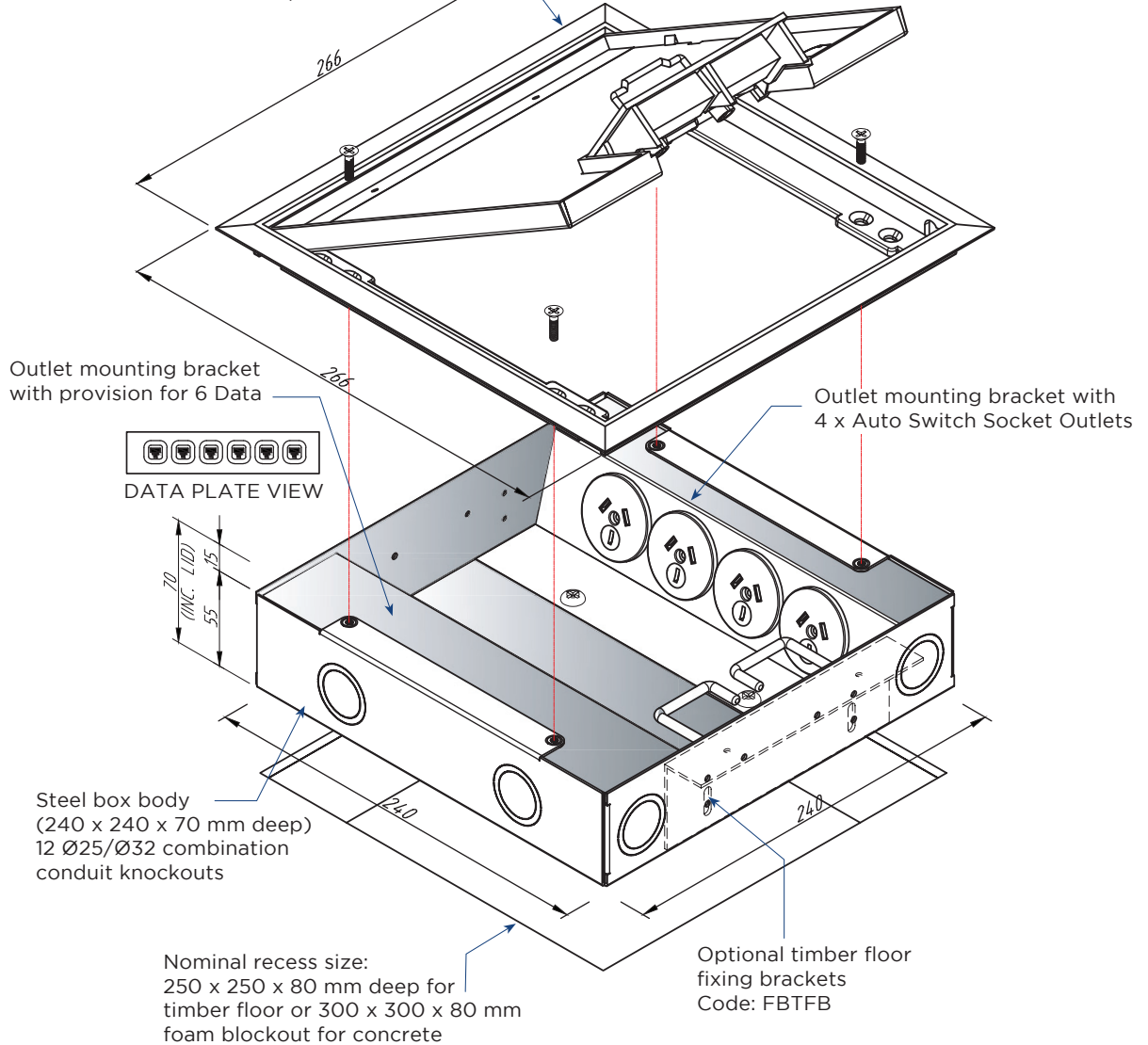
**OPTION TO FIT CAM LOCK**



<b>LID SIZE:</b>	266 x 266 mm
<b>BOX SIZE:</b>	240 x 240 x 70 mm Deep
<b>SUPPLIED WITH:</b>	4 x Single Auto Switched Socket Outlets 6 x Data Mounts Temporary Construction Lid
<b>SUITABLE FOR:</b>	Category 6A & 7A Cabling

# FB4P70 ASSEMBLY

FB4P moulded plastic (polyamide) recessed lid and frame assembly with cable exit, rubber dust seal flap and recessed lifting handle (overall lid size 266 x 266 mm)



All dimension quoted are nominal only. Drawings, images and text are for illustrative purposes only and product details and dimensions are subject to change without notice.

This product is not suitable for use in wet areas. It is intended for use with fixed wiring only and must be installed according to the AS/NZ 3000 Wiring Rules.