

# FLOOR BOX

## 'HEAVY DUTY'

### CODE: FFOB-5000

- Stainless floor box, **heavy duty** with flush rebated snorkel lid.
- Designed Specifically for ceramic tiles 250-400mm x 8-14mm .
- Unique snorkel for cord outlet protection.
- Minimum order quantities apply.

---

**STAINLESS FLUSH LID**

---

**14MM REBATE LID WITH FLUSH SNORKEL/  
DEEP BOX**

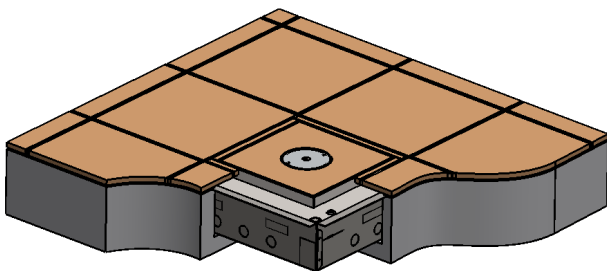
---

**SQUARE EDGE FOR TILE:**  
FITS FLUSH WITH WITH FLOORING FINISH

---

**IPX5 WHEN CLOSED**

---



---

**LID SIZE:** 260 x 260 mm

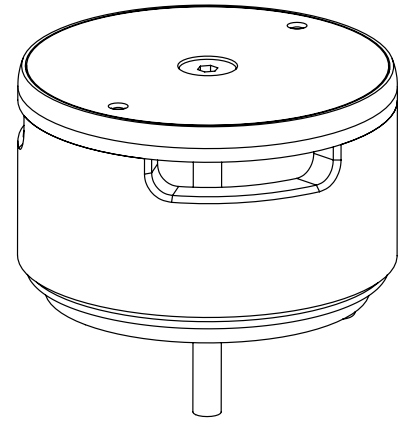
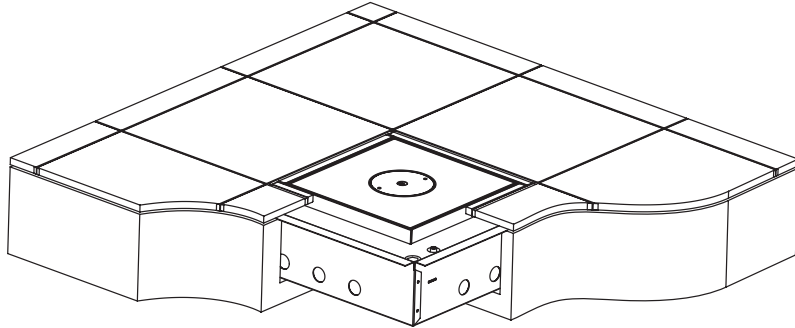
**BOX SIZE:** 350 x 350 x 126 mm

**SUPPLIED WITH:** 2 x Standard Double Socket Outlets  
2 x Standard Double Data Plates

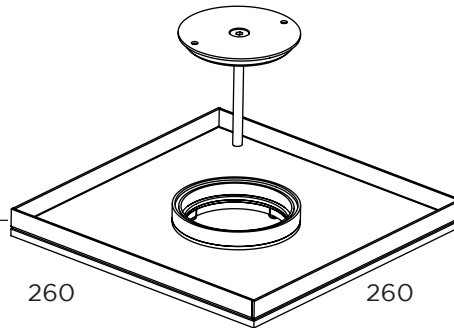
**SUITABLE FOR:** Category 6 cabling

---

# FFOB-5000 ASSEMBLY

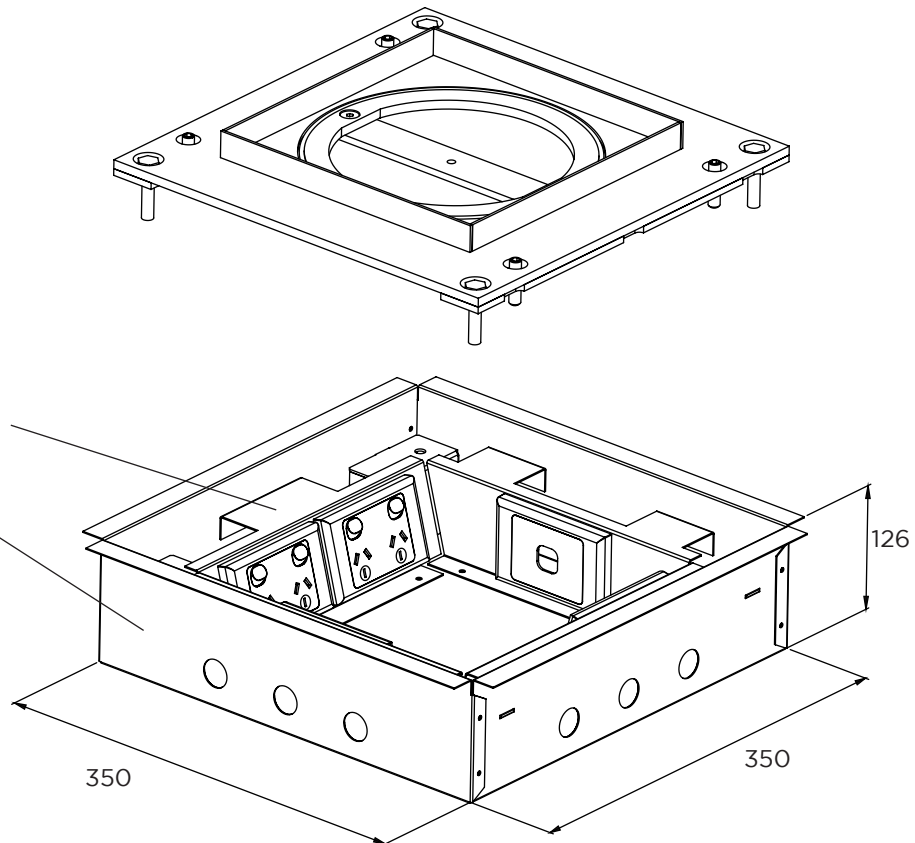


Tile Tray



Socket Mounting Plate

In-Ground Floor Box



All dimension quoted are nominal only. Drawings, images and text are for illustrative purposes only and product details and dimensions are subject to change without notice.

This product is not suitable for use in wet areas. It is intended for use with fixed wiring only and must be installed according to the AS/NZ 3000 Wiring Rules.