

FLOOR BOX

'IP SOCKET'

CODE: FFOB-290/10

- Stainless Floor Box with **"cable shield"** frame assembly to prevent cables being cut.
- Robust and large capacity cable exit flap with retracting lifting handle .
- **Designed to be fitted with IP rated sockets.**

STAINLESS SURFACE REVERSIBLE LID

SOFT CLOSE SOLID LID/DEEP BOX

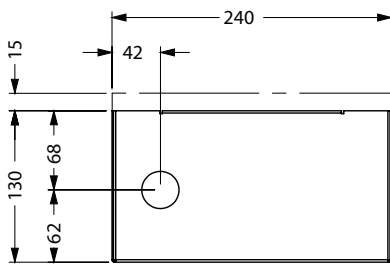
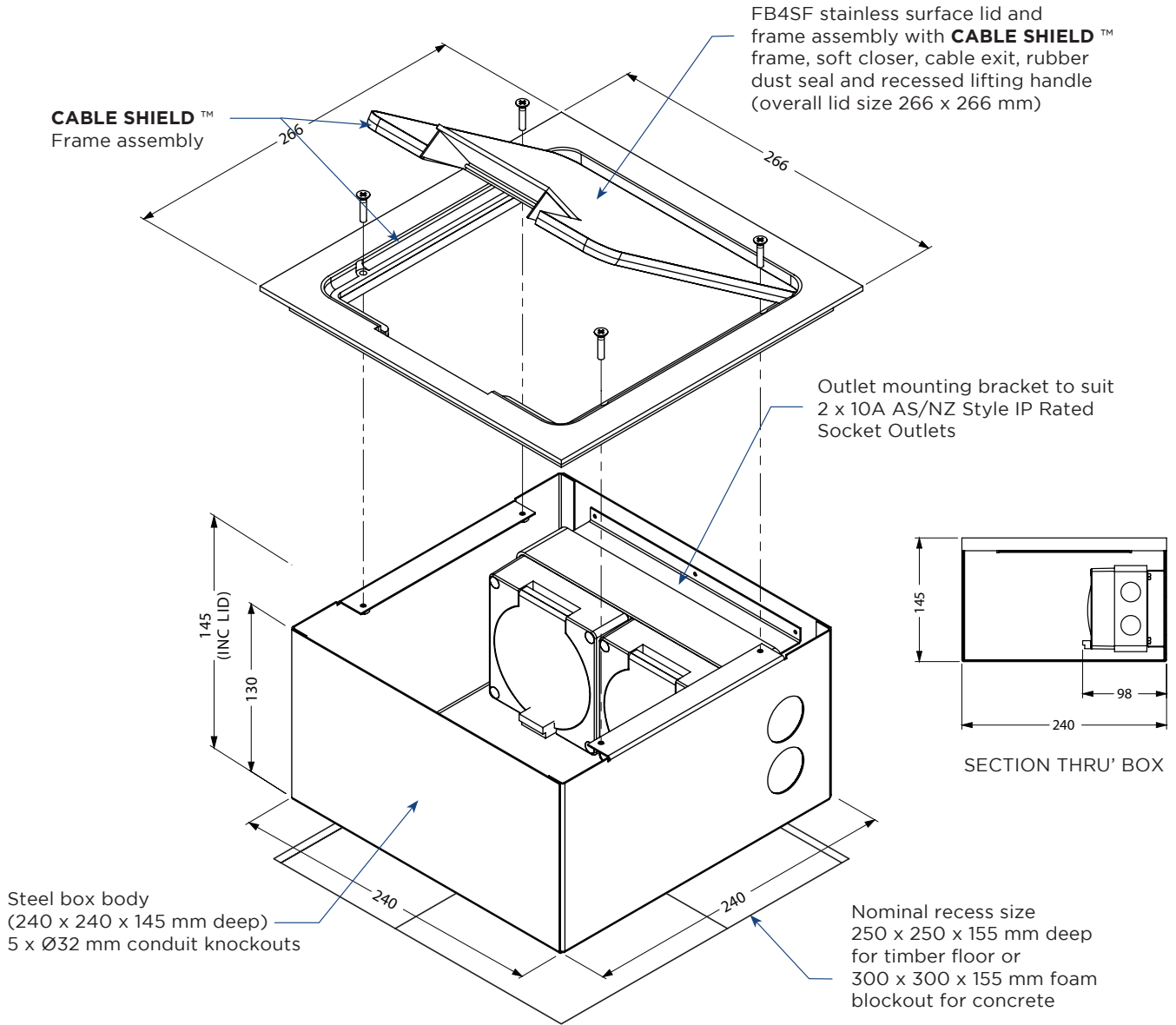
BEVELLED EDGE:
FITS ON TOP OF FLOORING FINISH

**SIDE MOUNTED AS/NZ STYLE
IP SOCKET OUTLETS**

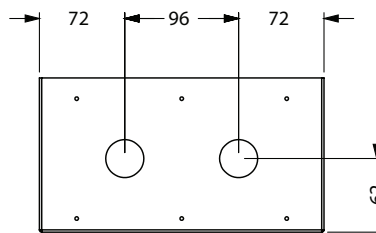


LID SIZE:	266 x 266 mm
BOX SIZE:	240 x 240 x 145 mm
SUPPLIED WITH:	2 x 10A IP Rated AS/NZ Style Socket Outlets

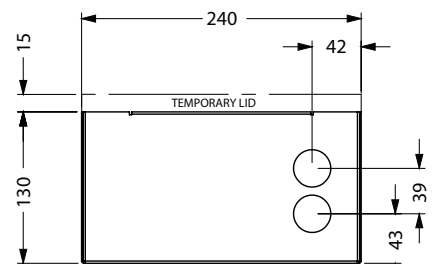
FFOB-290/10 ASSEMBLY



Conduit Location
Left Side



Conduit Location
Back Side



Conduit Location
Right Side

All dimension quoted are nominal only. Drawings, images and text are for illustrative purposes only and product details and dimensions are subject to change without notice.

This product is not suitable for use in wet areas. It is intended for use with fixed wiring only and must be installed according to the AS/NZ 3000 Wiring Rules.