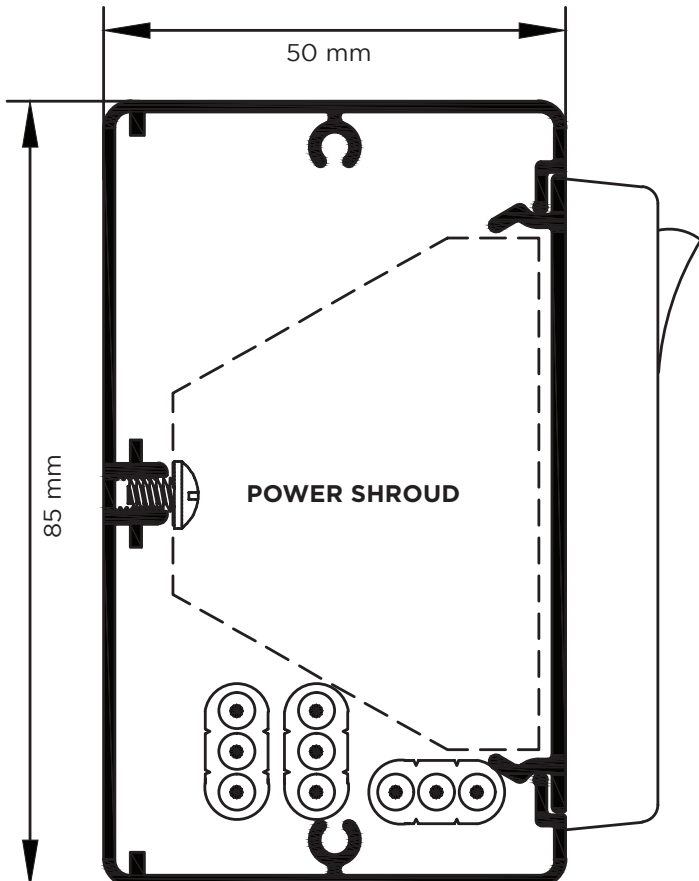


SKIRTING/WALL TRUNKING

'SINGLE COMPARTMENT'

CODE: WD8550

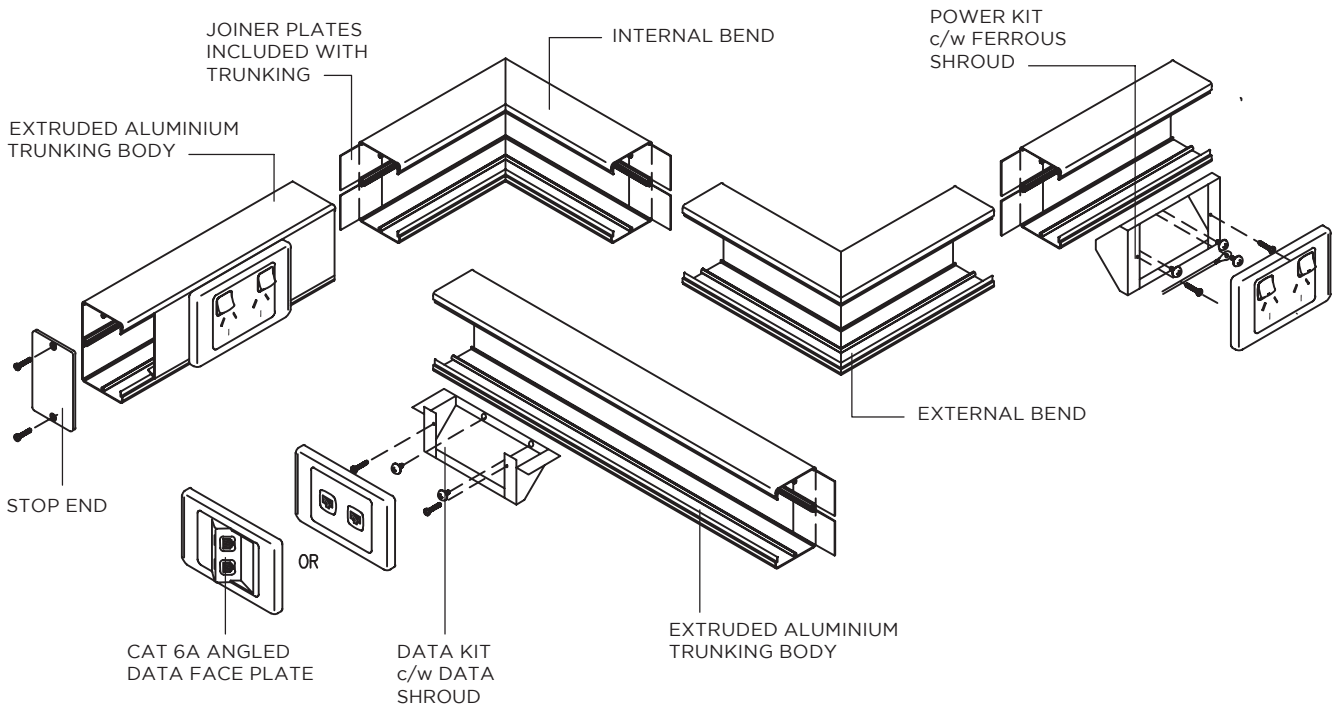
MATERIAL:	EXTRUDED ALUMINIUM
SIZE:	85 X 50 MM
COVER:	SNAP-FIT
POWER/DATA:	CENTRE MOUNTED STANDARD OUTLETS
COLOURS:	WHITE & ANODISED (SILVER/GREY) (OTHER POWDER COAT COLOURS AVAILABLE ON REQUEST)
SUITABLE FOR:	CATEGORY 5E, 6, 6A CABLING



POWER CABLE CAPACITY @ 40%	
Cables 2.5mm	Cables 4.0mm
25	12

DATA CABLE CAPACITY @ 40%		
Cables Cat 5E	Cables Cat 6	Cables Cat 6A
75	44	26

This product has been examined in accordance with AS/NZ 3000 and conforms to A.C.M.A requirements.



SUGGESTED SPECIFICATION:

- The contractor shall allow to supply and install PDC WD8550 Skirting/Wall Trunking and cover (85x50mm) surface mounted or as otherwise nominated.
- The body and cover of the trunking shall be extruded aluminium and powder coated white or Natural Anodised as nominated by the architect.
- The system shall be earthed in accordance with AS/NZ3000 wiring rules and conform to A.C.M.A. requirements.
- The internal/external corners shall be site mitred to fine tolerances with concealed reinforcing angles riveted in position or alternatively manufactured internal/external bends
- Adjacent lengths of trunking body shall be splice joined with slide in joiner plates.
- Screw fixed stop ends shall be fitted where necessary.
- Power points shall be mounted to the trunking body using power mounting kits including ferrous metal shroud and earth wire.
- Power circuits within the trunking shall be double insulated cable.
- Data outlets shall be mounted to the trunking body using data mounting kits including ferrous metal data shroud.

PARTS LIST			
Description	Code	Select Colour by Adding suffix to Code	
		WHITE	ANODISED
Trunking Body and Clip In Cover (3m lengths) incl. Joining Kit	WD8550D	WE	NA
Power Kit c/w power shroud	WD8550K	WE	NA
Data Kit c/w data shroud	WD8550VDK	WE	NA
Stop End	WD8550SE	WE	NA
External Bend	WD8550EB	WE	NA
Internal Bend	WD8550IB	WE	NA
Cat 6A Angled Data Face Plate	88DA2P	-	