

FLOOR BOX

'PROTECTOR' SERIES

CODE: FB4SQR70

- Stainless floor box with **Cable Shield™** frame assembly to prevent cables being cut.
- Robust and large capacity cable exit flap with retracting handle.
- Modular box body and lid design, interchangeable with plastic and other lids in the floor box range.

STAINLESS FLUSH REVERSIBLE LID

**SOFT CLOSE 6 MM REBATE LID/
SHALLOW BOX**

**SQUARE EDGE FOR TILE/TIMBER:
FITS FLUSH WITH FLOORING FINISH**

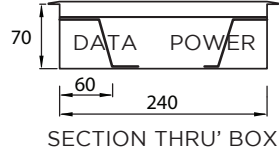
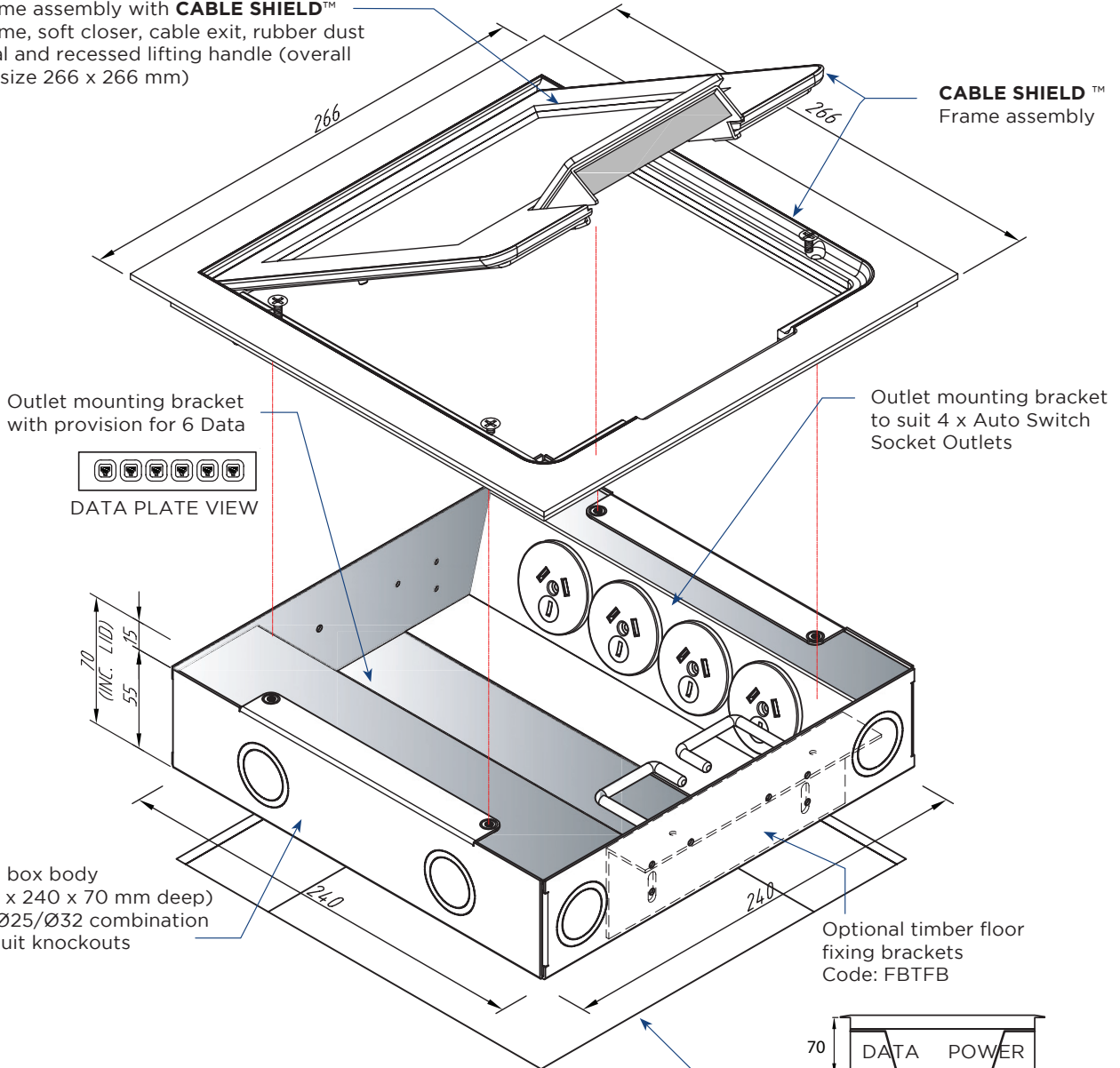
OPTION TO FIT CAM LOCK



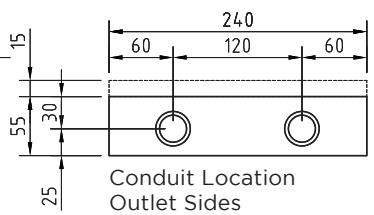
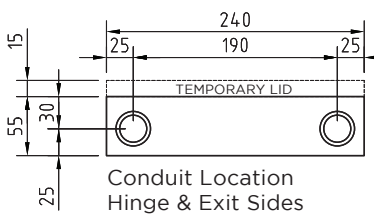
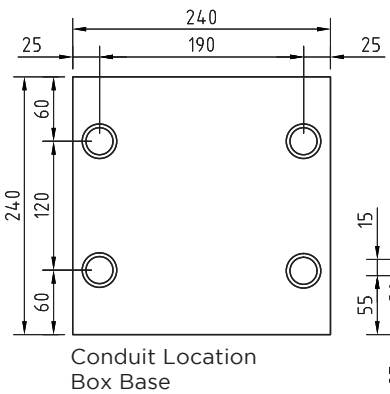
LID SIZE:	266 x 266 mm
BOX SIZE:	240 x 240 x 70 mm Deep
SUPPLIED WITH:	4 x Single Auto Switched Socket Outlets 6 x Data Mounts Temporary Construction Lid
SUITABLE FOR:	Category 6A and 7A Cabling

FB4SQR70 ASSEMBLY

FB4SQR stainless rebated flush lid and frame assembly with **CABLE SHIELD™** frame, soft closer, cable exit, rubber dust seal and recessed lifting handle (overall lid size 266 x 266 mm)



Nominal recess size
250 x 250 x 80 mm deep
for timber floor or
300 x 300 x 80 mm foam
blockout for concrete



All dimension quoted are nominal only. Drawings, images and text are for illustrative purposes only and product details and dimensions are subject to change without notice.

This product is not suitable for use in wet areas. It is intended for use with fixed wiring only and must be installed according to the AS/NZ 3000 Wiring Rules.