

FLOOR BOX

CODE: FB148

- Compact and stylish solid stainless floor box providing power and data to open plan areas.
- Two cord outlet ports fold into box to allow cables to exit when in use.

STAINLESS STEEL SURFACE LID

SOLID LID/DEEP BOX

BEVELLED EDGE:
FITS ON TOP OF FLOORING FINISH

**SQUARE EDGED LID AVAILABLE FOR
FITTING FLUSH WITH FLOORING FINISH**
ADD 'SQ' TO CODE

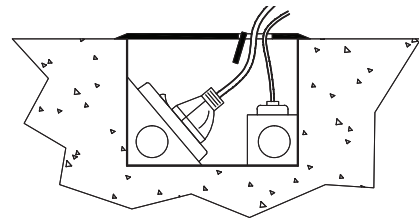
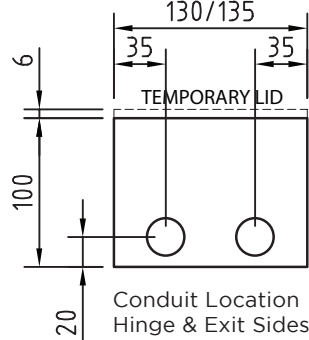
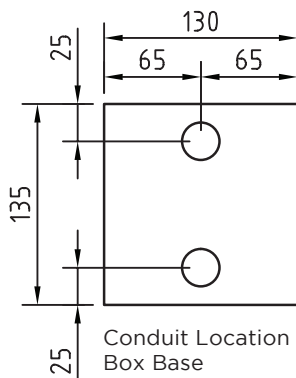
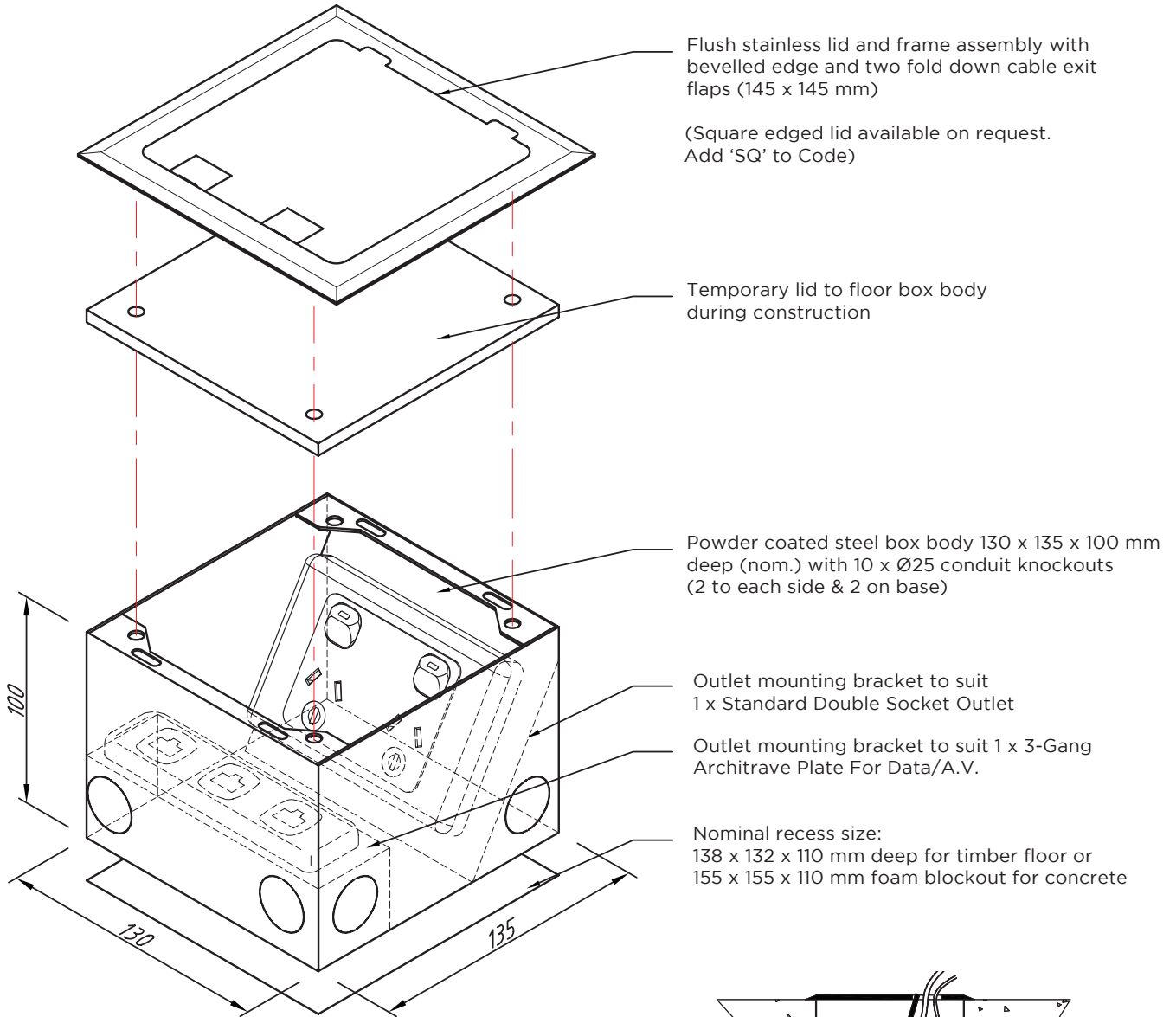


LID SIZE: 145 x 145 mm

BOX SIZE: 135 x 130 x 100 mm Deep

SUPPLIED WITH: 1 x Standard Double Socket Outlet
1 x 3-Gang Architrave Data Plate

FB148 ASSEMBLY



Assembled side view of FB148 single compartment floor box showing cord outlet flap in use

All dimension quoted are nominal only. Drawings, images and text are for illustrative purposes only and product details and dimensions are subject to change without notice.

This product is not suitable for use in wet areas. It is intended for use with fixed wiring only and must be installed according to the AS/NZ 3000 Wiring Rules.