

# FLOOR BOX

## 'DEEP REBATE'

### CODE: FB4SDR70

- Stainless floor box with **extra deep lid rebate** for thick timber, tile or stone floor covering.
- Robust and large capacity cable exit flap with retracing handle.
- Modular box body and lid design, interchangeable with plastic and other lids in the floor box range.

---

**STAINLESS FLUSH REVERSIBLE LID**

---

**23 MM DEEP REBATE LID/SHALLOW BOX**

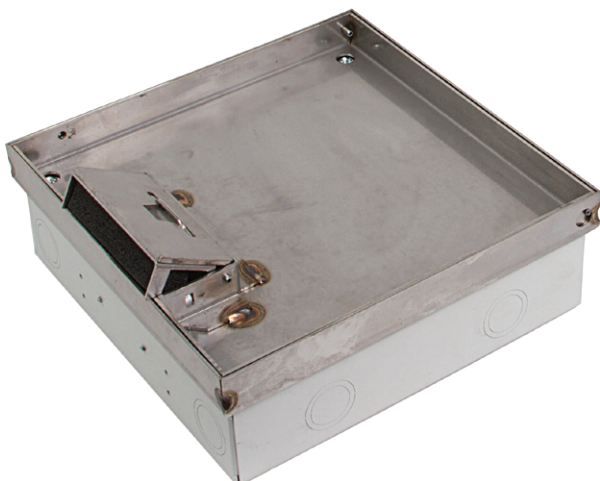
---

**SQUARE EDGE FOR TILE/TIMBER:**  
FITS FLUSH WITH FLOORING FINISH

---

**OPTION TO FIT CAM LOCK**

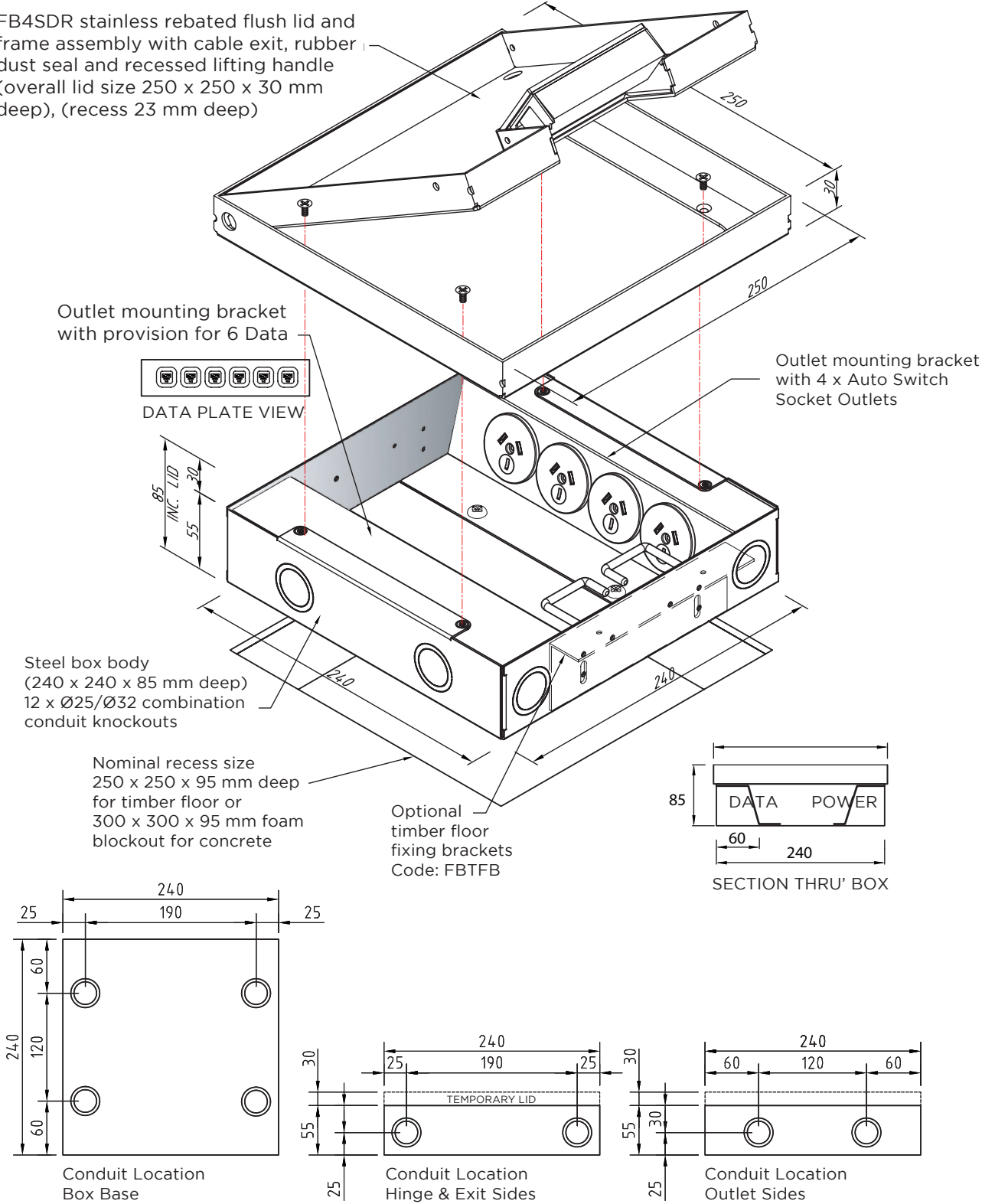
---



<b>LID SIZE:</b>	250 x 250 x 30 mm
<b>BOX SIZE:</b>	240 x 240 x 85 mm Deep
<b>SUPPLIED WITH:</b>	4 x Single Auto Switched Socket Outlets 6 x Data Mounts Temporary Construction Lid
<b>SUITABLE FOR:</b>	Category 6A & 7A Cabling

# FB4SDR70 ASSEMBLY

FB4SDR stainless rebated flush lid and frame assembly with cable exit, rubber dust seal and recessed lifting handle (overall lid size 250 x 250 x 30 mm deep), (recess 23 mm deep)



All dimension quoted are nominal only. Drawings, images and text are for illustrative purposes only and product details and dimensions are subject to change without notice.

This product is not suitable for use in wet areas. It is intended for use with fixed wiring only and must be installed according to the AS/NZ 3000 Wiring Rules.